

Press Conference

AL-KO Vehicle Technology Group

Dr Timo Schwickart

Senior Vice President Sales & Marketing

Dr Klaus Wilhelm

Senior Vice President R&D
and Product Management

Jörn von Ahlen

Head of Marketing

Caravan Salon Düsseldorf, August 31, 2024



Contents

01 People

02 New products

03 Prospects

New Head of Research and Development

- | **Dr Klaus Wilhelm** will (again) lead the AL-KO Vehicle Technology Group's **global research and development activities** as well as **product management** from July 1, 2024
- | For Klaus Wilhelm, the new role is **also a return** to his former employer and thus to many familiar topics and, not least, colleagues
- | He was a **key driver** of various successful new product developments in the vehicle technology segment as Senior Vice President Development here between 2006 and 2016
- | His lasting successes include the introduction of the **HY4** hydraulic levelling support system and the **MAMMUT** manoeuvring system
- | With a doctorate in mechanical engineering, he went on to drive the strategic direction of various product areas in mobile hydraulics at Bosch Rexroth AG



New role: Guido Kovermann

- | AL-KO is setting course for a stronger focus and even more **consistent processes** in the Leisure and Commercial Trailer segments' core business activities
- | COO **Markus Siegner** together with Senior Vice President Sales and Marketing **Dr Timo Schwickart** and Senior Vice President R&D and Product Management **Dr Klaus Wilhelm** will jointly coordinate and harmonize the overall activities
- | **Guido Kovermann** as Segment Manager Leisure and **Dirk Speidel** as Segment Manager Commercial Trailer will ensure the corresponding performance
- | In addition to his new role, Guido Kovermann will continue to be responsible for the **entire aftermarket business**



Oliver Drinkwater in charge of levelling systems

- | Since April 2024, **Oliver Drinkwater** has had overall responsibility for all hydraulic levelling systems (HY2, HY4, LevelC, LevelM, LevelM Pro and LevelVan) in the Group worldwide
- | Having been managing director of E&P Hydraulics UK for many years, he certainly has the relevant expertise
- | In his new role, he will focus even more strongly on customer needs and will work with his team to provide excellent **customer advice and support**
- | Another priority is strategic planning for the expansion and **differentiation of the product portfolio**
- | Efforts will also center on **expanding networks** with OEMs, dealers and end customers



Expansion in electronics: new subsidiary Toptron

- | Toptron presents its **portfolio** of electronic lighting control modules, fuse and distribution boxes, switches probes and displays
- | Based in Menden/North Rhine-Westphalia, **Toptron** has been supplying **customer-specific electronic on-board systems** and components such as control and operating panels, lighting control systems, energy distribution units, probes and sensors since 1995
- | Managing Director **Andreas Kling** was previously i.a. Chief Electronics Engineer in research and development at AL-KO and has already supported the **integration of CBE and Nordelettronica**
- | We are working hard to quickly integrate Toptron into our AL-KO Vehicle Technology Electronics division alongside our CBE and Nordelettronica brands and to enhance the product range. Toptron customers will get furthermore high customer service and technical support



High-tech camping thanks to AL-KO VTE

- | We are presenting the Leisure Vehicles and Electronics divisions on a **joint** stand for the first time
- | AL-KO Vehicle Technology Electronics includes the companies **CBE, Nordelectronica, and Toptron**
- | **Electronic networking** improves user-friendliness, comfort, safety, energy efficiency and autarky in leisure vehicles
- | **Our goals:** Improve connectivity for an optimal operating and user experience, expand our product range and significantly broaden our geographical presence

System
provider for
recreational
vehicles

Electrical and
electronic
infrastructure

Energy
management
(batteries,
photovoltaics)

Networking
of all
components on
board

Aftermarket: new customer center in Sweden

- | The **latest customer center** opened in Sweden in spring 2024, in Skene near Gothenburg
- | Eight company-own customer centers in Europe offer optimal aftermarket service and sales
- | Planned: **further expansion** of the customer center network
- | **Dense network** of over 1,000 qualified dealers and service stations
- | **Training courses** for dealers and manufacturers from basic knowledge to expert level in the **AL-KO Academy**



New products

- 01 Levelling Systems: LevelVan & LevelM Pro
- 02 Motorhomes: COMFORT DRIVE & VARIO SPACE
- 03 Rear Carriers: revamped VELO, VARIO and LIGERO
- 04 Seating and sleeping systems for campervans
- 05 Caravan: PROSAFE anti-theft device
- 06 Electronics: Onda app, solar panel, battery solutions
- 07 Modular Chassis Solution AL-KO CarryNex

LevelVan: levelling support system for vans

- | LevelVan – the first hydraulic levelling support system with carbon cylinders **for panel vans**
- | LevelVan from E&P is the first and only hydraulic levelling support system with a net weight of **less than 50 kilograms** specifically designed for panel vans
- | Thanks to its **low net weight**, it allows significantly more payload
- | How is that possible? Through the use of **carbon cylinders** – a material that is hard to beat in terms of lightness
- | Available for Fiat Ducato, Peugeot Boxer, Citroën Jumper



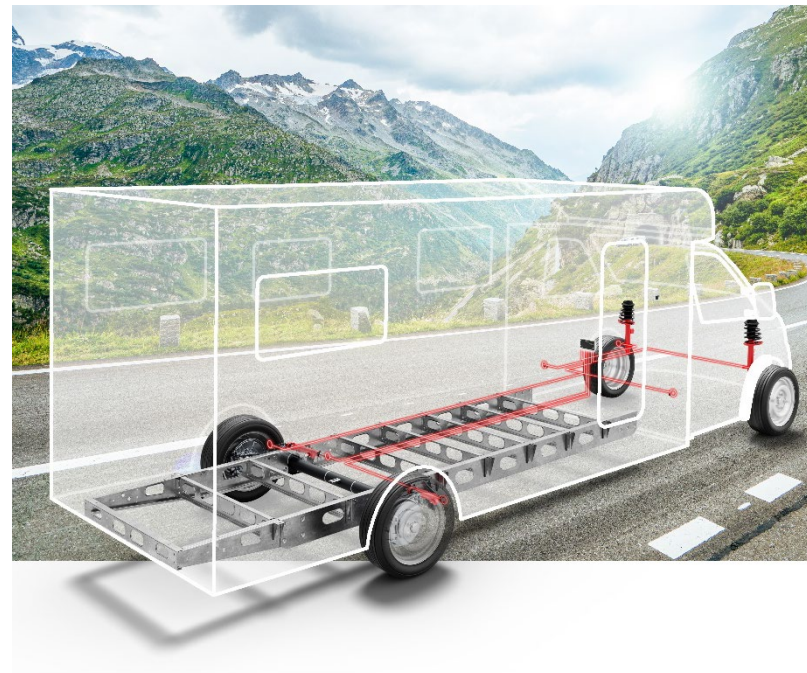
LevelM Pro: levelling system for motorhomes

- | Our new fully hydraulic LevelM Pro system ensures that motorhomes are stable and secure
- | **Ultralight net weight from 56 kg**
- | **Precise, gentle, quiet** and intuitive operation at the touch of a button
- | **3 individual positions** can be saved (leveling, tank emptying & sleeping position)
- | High-quality **e-motor technology**
- | **Weighing function** can be retrofitted from the end of 2024
- | **Available** for Fiat Ducato, Peugeot Boxer, Citroën Jumper



AL-KO COMFORT DRIVE

- | Semi-active damping and **adaptive chassis control**
- | Increased driving comfort and safety
- | Choice of “**Normal**” or “**Comfort**” mode
- | **Automatic scaling** of the control intervention independent of the loading condition
- | COMFORT DRIVE additional weight ~ 8.5 kg
- | Suitable for Mercedes-Benz Sprinter (VS30) 2-axle AMC/VARIO SPACE



Space-saving miracle AMC VARIO SPACE

- | **Low-frame chassis** for the latest generation of motorhomes: **new space miracle** in the range
- | **Reduced vehicle height** improves aerodynamics and thus reduces CO₂ emissions
- | **Lightweight technology** enables increased payloads and reduced fuel consumption
- | The **lower center of gravity** provides more stability and therefore increased driving safety
- | Greater **comfort** thanks to a **lower entrance height** for disabled or elderly users
- | Available for all **power head variants**
- | Mercedes Benz Sprinter (VS30), FIAT Ducato, Citroën Jumper, Peugeot Boxer



Revamped rear carriers

| VELO and VARIO: more comfort

- | Simpler operation: light bracket folds up automatically
- | Only 1 clamping lever – modelled on TRIGO-VAN
- | Perfect for e-bikes: wide bicycle rails and proven quick-release ratchets
- | Velo compact: 200 mm narrower than previous model

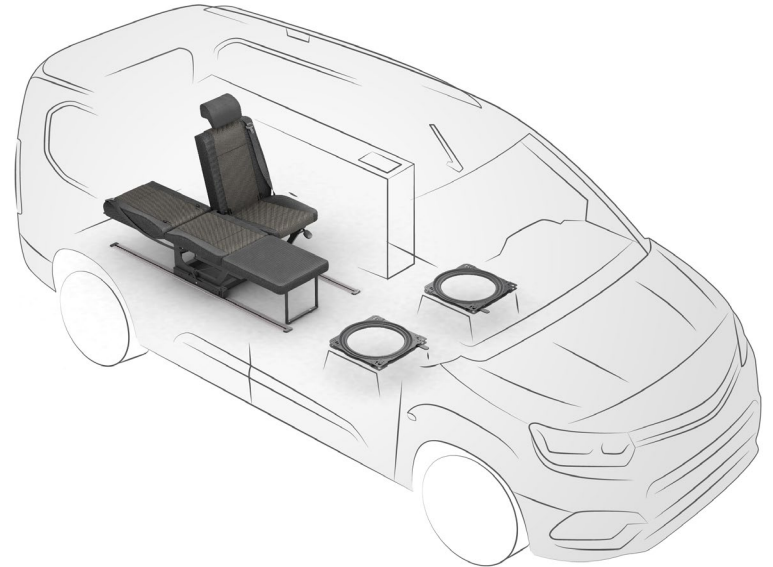
| LIGERO: lower weight

- | Lighter: net weight reduced by around 5 kg thanks to new light bracket
- | Suitable for trikes/tricycles



Seating and sleeping systems for campervans

- | Focus on **comfort, functionality** and **safety**
- | New: swivel base for the Volkswagen T7
- | **Modular concepts** for seat layouts
 - | Comfortable 2- or 3-seater sleeping benches
 - | Swiveling, ergonomic single seat GIS-Light
 - | MAXRAIL rail system
 - | Vehicle-specific swivel bases for original seats



AL-KO PROSAFE anti-theft protection for caravans & trailers

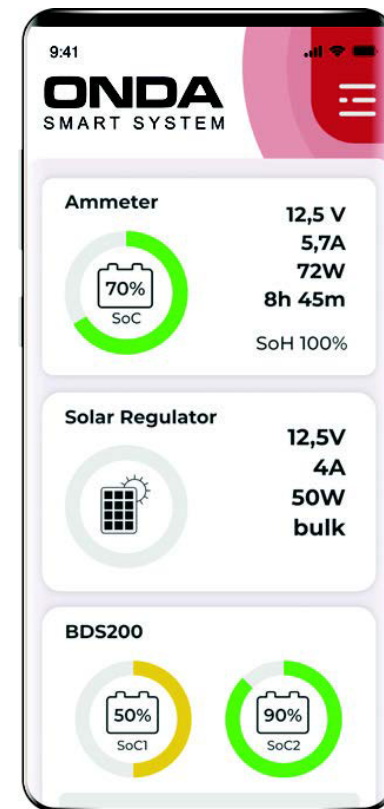
AL-KO
QUALITY FOR LIFE

- | Unique & solid **multi-layer construction**
- | **Special lock** with drill protection
- | Scratch & **contact protection** for rims
- | Suitable for standard **aluminum & steel rims**
- | Suitable for 13 – 17 inch wheels
- | **Simple assembly** in just a few steps
- | Sturdy & robust **storage case**



Connectivity: improved user experience with ONDA

- | Connects to devices that use the **CI-BUS interface** to provide information or execute commands
- | ONDA is **open for connection** to apps from other manufacturers
- | **All of our on-board devices and components with Bluetooth connectivity** can be integrated into the **ONDA Smart System** and displayed, monitored and controlled via smartphone or tablet using the corresponding **ONDA app**
- | ONDA allows, for example, the **control and display of lighting**, water pump and water tank level, heating/air condition, indoor and outdoor temperature, **battery charge level**, **geolocation** and supports the **levelling** of the vehicle with the AL-KO HY 4 system
- | The PRM400 solar controller, the BDS200 battery manager and a new-generation shunt (the new **Bluetooth-controlled devices** from AL-KO VTE) are **celebrating their debut** at the Caravan Salon in Düsseldorf. They can be controlled via ONDA-App on a smartphone or tablet



Modular Chassis Solutions AL-KO CarryNex

- | As a leading brand manufacturer of trailer components, AL-KO is now bringing its proven expertise to the world of sustainable mobility.
- | Our latest cargo chassis AL-KO CarryNex sets new standards in the transportation and logistics industry: lighter, safer, more individual.
- | The choice between single- and dual-axle trailers with a permitted total weight of up to 300 kg for Cargo Bikes
- | Designed for the last mile and intralogistics markets
- | Suitable for the leisure and tourism industry
 - | Transport of luggage, equipment and provisions by bike rental companies, campsite operators, tour providers
 - | Perfect for ambitious recreational athletes for a wide range of outdoor activities



CARRYNEX 250



CARRYNEX 300



CARRYNEX 30S

Download our Press Kit

| You can conveniently download our press kit using the QR code.

Download DE



Download EN

